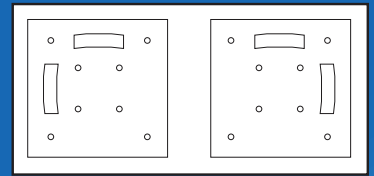
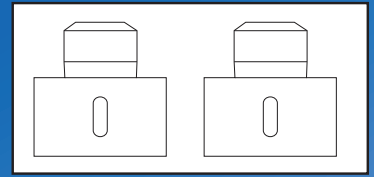


# Hidden Fixings Instructions

- Clean finger marks on frost edge mirrors with methylated spirits
- Do not rest mirror on any hard surface ex. tiles, vinyl, timber (this may chip mirror)
- It is best to use two people for installation.
- Hand screw fixings (power tools may break gib fixing)
- Handle mirror with extreme care
- Keep your work area tidy & free of obstacles



Metal plates are attached to the mirror

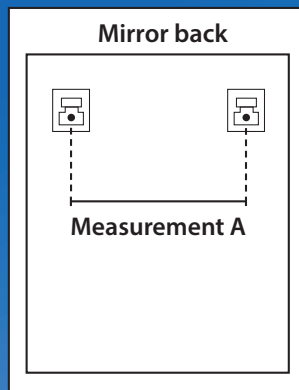


2 x tongue wall hangers included

## STEP 1

Insert the tongue hangers into the slot on the back of the mirror and measure the distance between the centre of the two screw holes on the tongue. Record your measurement A

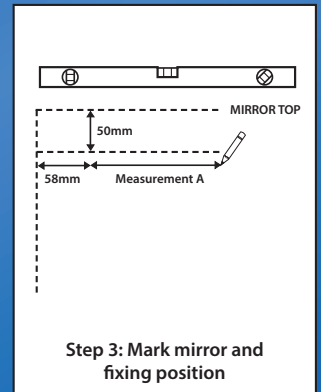
On some large mirrors there will be additional top plates, in this instance record all the distances between each plate.



## STEP 2

Lightly pencil mark on the wall where you want the top of the mirror to be.

Measure down 50mm from this mark and draw a level line the width of the mirror. Use a spirit level to ensure the line is level. Clean your first top mark off the wall.



Step 3: Mark mirror and fixing position

## STEP 3

Measure in 58mm from the left end of the line and mark a cross (screw position for the wall tongue).

Measure across "Measurement A" from the cross and mark a 2nd cross (screw position for the wall tongue)

As a double check the two marks should be 58mm in from each ends of your level line.

## STEP 4

Screw the wall tongue into place.

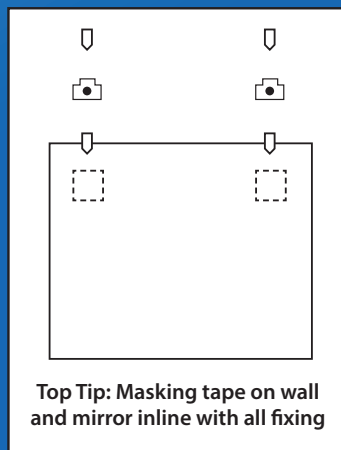
If drilling into gib board (and no wooden stud in behind) insert the white wall fixings or use another suitable hollow wall anchor in the exact centre of the mark on the wall.

## STEP 5

On the wall (above the mirror) and on the top of the mirror, attach pieces of easy peel masking tape (or post-it notes) in the position of the fixings. Use these as a guide when sliding the mirror onto the wall fixings.

Carefully lower the mirror onto the 2x wall tongues fixed to the wall.

Adjust the wall tongues up or down for any minor height adjustments.



Top Tip: Masking tape on wall and mirror inline with all fixing

## STEP 6

Secure mirror

To stop any movement & secure the mirror. Attach the double sided tape tab onto the back of the bottom metal plate and the wall.

Alternatively the bottom metal plate can be glued against the wall with a small amount of neutral cure silicon.

## PLEASE READ CAREFULLY

This mirror carries a full warranty, please inspect thoroughly before installation to ensure this unit has not been damaged in transit as the warranty does not cover the cost of removal and installation once installed.

**Trendy**MIRRORS

When only the best reflection will do since 1985